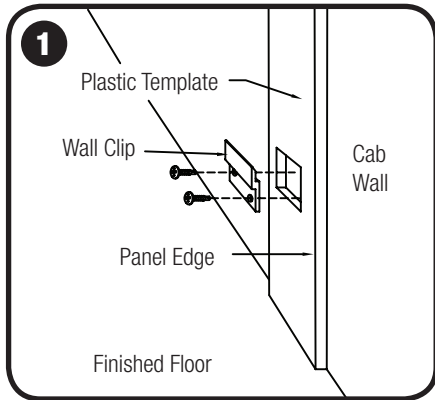


LEVELc-1000A ELEVATOR INTERIORS

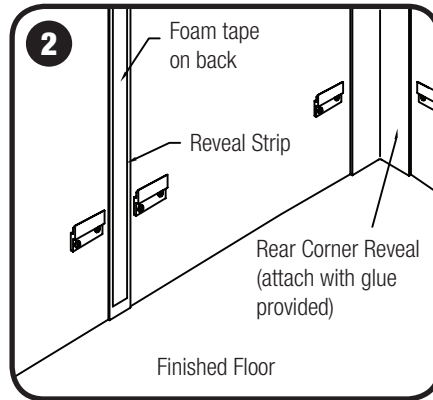
INSTALLATION INSTRUCTIONS

STEP BY STEP



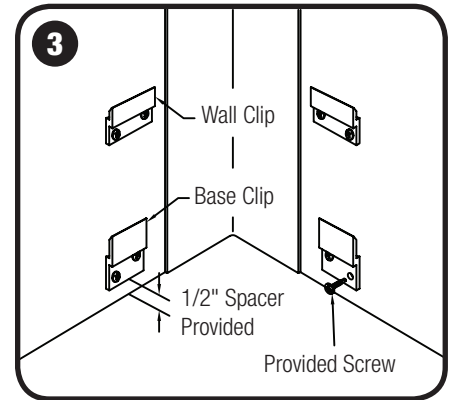
Install Wall Clips.

- Use the provided template to install the Wall Clips. Refer to the drawings for panel locations.



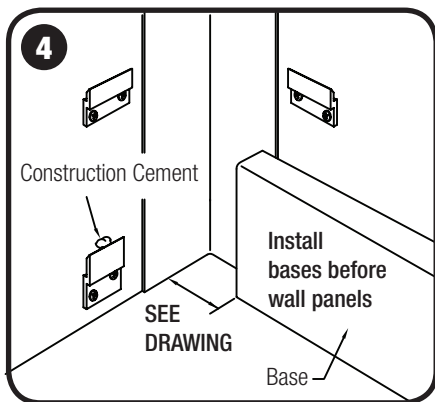
Attach the Reveals.

- Use the smaller strips for the front corners. Use the provided construction cement for the rear corners.
- **Do not use all of the adhesive**, the remaining cement will be needed later to secure the panels.



Attach the Base Clips.

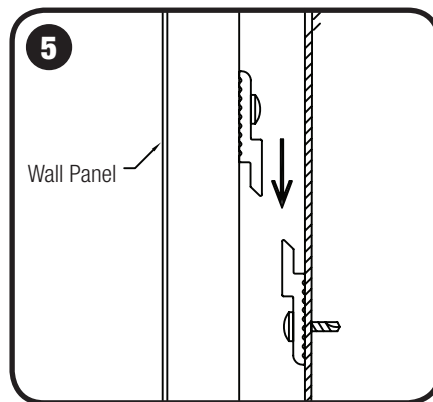
- Attach the Base Clips to the cab wall with provided screws. Use the actual bases to determine horizontal spacing of clips.



Attach the Bases.

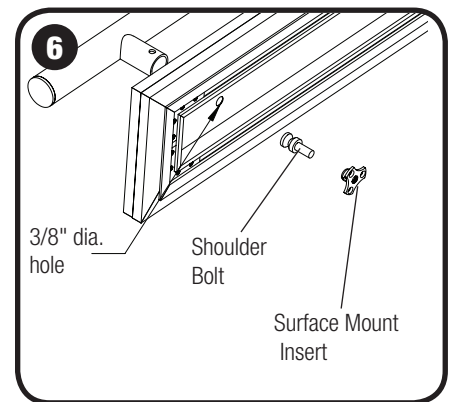
- Put a small amount of construction cement on the Base Clips and attach the Bases.

Check the provided drawing for placement.



Install and align Wall Panels.

- Remove the protective sheet on all of the Reveals. Lift the panels into place to check the alignment of the wall clips.



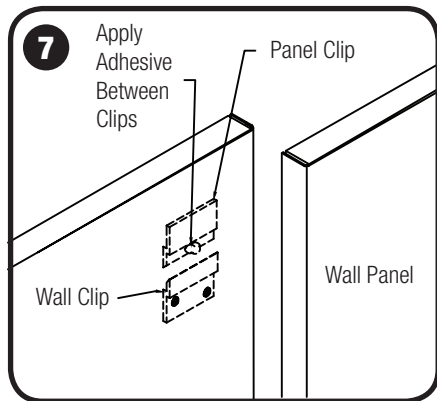
Indicate Handrail location (if applicable).

- After panels are aligned, use the Handrail to mark center points for the Handrail standoffs.
- Drill 3/8" holes and install the Handrail securing with the shoulder bolt and surface mount insert on the back of the panels, as shown.

Note: If applicable, mimic step 6 for Crash Rail installation

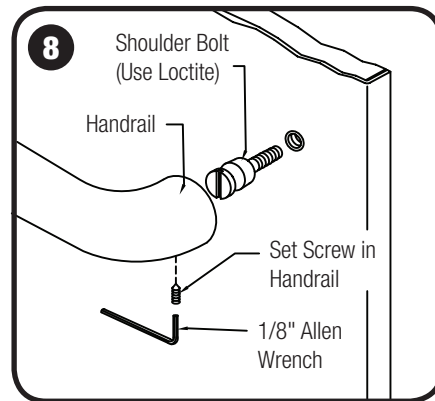
LEVELc-1000A ELEVATOR INTERIORS

INSTALLATION INSTRUCTIONS



Install Wall Panels.

- Apply a small amount of construction adhesive to two or four clips on each panel.
- Replace the panels, checking the Handrail center to center and reveal widths.



Install Handrail (if applicable).

- Install the Shoulder Bolts into the panels **using Loctite and tighten securely.**
- Slide Handrail onto Shoulder Bolts so the standoffs are flush with the wall panels.
- Tighten the set screws from the underside of the Handrail with the provided allen key.
- Install additional Handrails if applicable.

Note: If applicable, mimic step 8 for Crash Rail installation